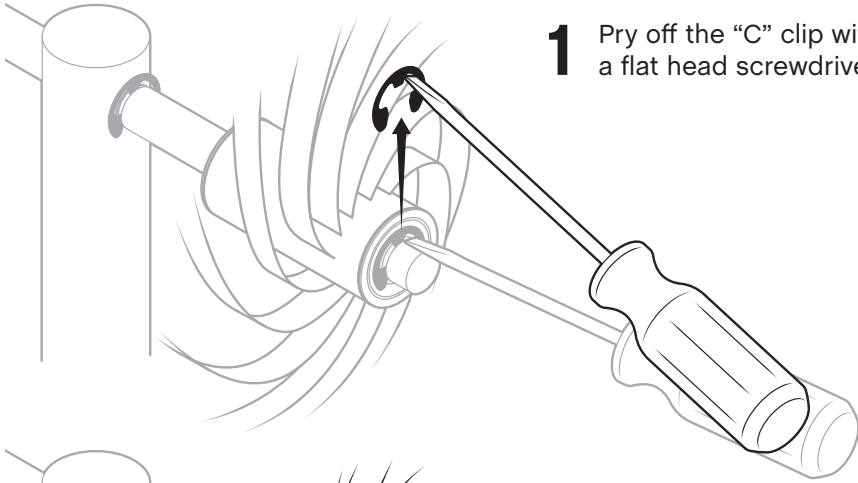


Replace Bearings

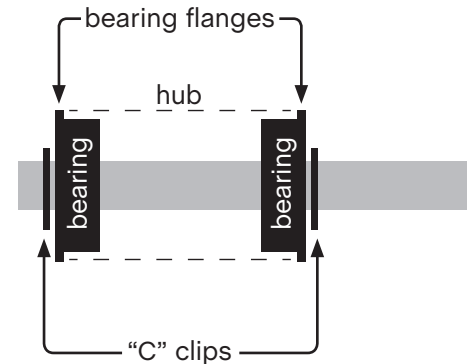
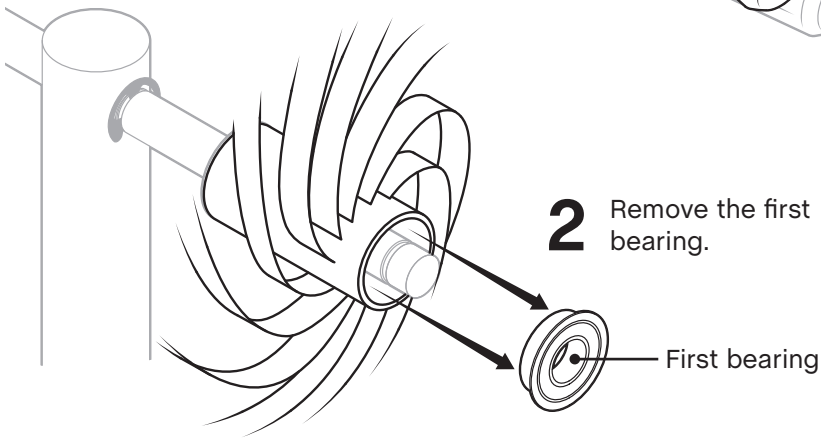
- 1** Pry off the “C” clip with a flat head screwdriver.



“C” clip



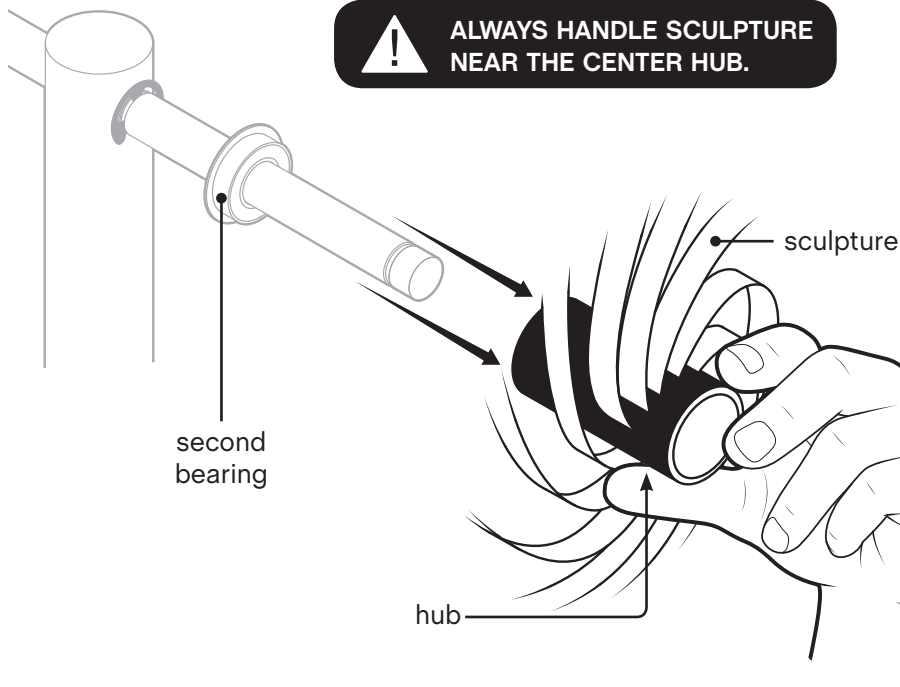
- 2** Remove the first bearing.



- 3** If necessary, remove the hub and sculpture.



ALWAYS HANDLE SCULPTURE NEAR THE CENTER HUB.



- 4** When reassembling, make sure the flange, or the widest rim of each bearing, faces away from the center of the hub.

Also, make sure the “C” clip is fully in place so it can't pop off.